

### WHAT IS IT ?

A compact dual relay RF switching module.

Ideal for integrating motorised curtains, blinds and projector screens with the lighting control system.

Controlled from any Rako RAKOM RF device, for example the RPS03-W three button RF wall plate.

The RACUB in-line RF relay module for motorised curtains, screens and blinds



### AUTOMATED CONTROL

Designed to fit local to a motor, the RACUB relay module can control motorised window treatments and home cinema equipment such as projector screens.

The robust microprocessor design ensures reliable switching with dual relays enabling open, close and stop functions. Intelligent motor protection function stops harmful back currents from damaging the relays.

Programmed using either an RPS03 RF wallplate or the RASOFT PC software suite, the unit stores the house, room and channel address in non volatile memory.

The RACUB relay module can be controlled from any Rako transmitter such as RCP wallplates, RAH hand helds, MB1 timeclocks and forms the ideal accessory to any Rako scene-set system.

DATA SHEET

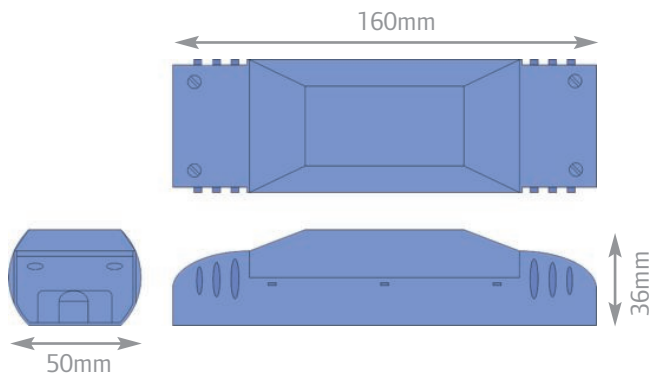
# RACUB

CURTAIN, SCREEN & BLIND CONTROL UNIT

## TECHNICAL DATA

<b>DIMENSIONS</b>	160x50x36mm
<b>INPUT SUPPLY</b>	230V AC +/-10% 50Hz
<b>WEIGHT</b>	240g
<b>HOUSING</b>	UL V0 material
<b>CLIMATE RANGE</b>	Temperature +2C to +40C Humidity +5% to 95% non condensing
<b>CONNECTIONS</b>	2 way screw terminals for mains power 6 way screw terminals for relay outputs
<b>LOAD TYPES</b>	240vac Motors 12vdc Motors Motors with volt-free contact inputs
<b>MINIMUM LOAD</b>	-
<b>MAXIMUM LOAD</b>	2A
<b>TERMINAL SIZES</b>	1.5mm <sup>2</sup> - Stranded 2.5mm <sup>2</sup> - Solid
<b>STANDARDS</b>	EMC - EN 5001-1 :1992 Immunity - EN 50082-1 :1997
<b>COMMUNICATION</b>	Rakom coded fm radio, 433.9MHz
<b>MEMORY</b>	Flash memory (non volatile)

## MECHANICAL DATA



## CONNECTION DETAILS

