

DATA SHEET

RAV232+

BI-DIRECTIONAL RF GATEWAY



WHAT IS IT ?

Designed to be the gateway between an audio visual system and a Rako RF devices.

The unit provides a bi-directional wireless link from an AV system to RAKOM enabled receiver devices such as the RDL range of dimmers and RACUB curtain, screen and blind modules.

Can also be used with Rako RASOFT PC programming software.

The RAV232+ is a bi-directional RS232 RF gateway for system integration applications



COMPLETE CONTROL

The RAV232+ module allows an audio visual systems to control any RAKOM device via a serial RS232 port.

Multiroom audio and PC based home automation systems can control lighting, curtains and projector screens without the need for any data cables or output relays.

Feedback of all RAKOM signals is also available for advance functions, such as runing a macro to switch the air conditioning on and close the curtains.

DATA SHEET

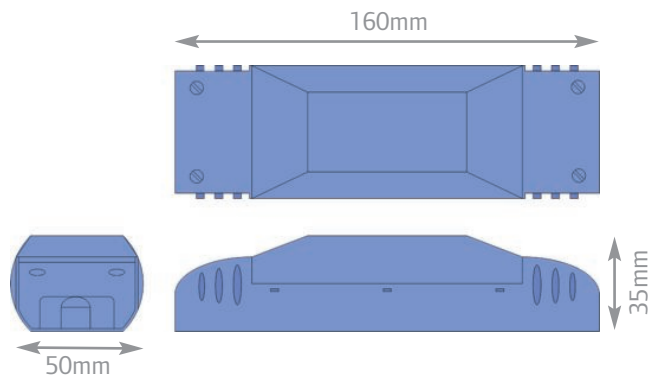
RAV232+

BI-DIRECTIONAL RF GATEWAY

TECHNICAL DATA

DIMENSIONS	160x50x36mm
INPUT SUPPLY	12V DC regulated (RAPSU or equiv.)
WEIGHT	125g
HOUSING	UL V0 material
CLIMATE RANGE	Temperature +2C to +40C Humidity +5% to 95% non condensing
CONNECTIONS	9 pin D-type serial 2 way screw terminal for DC power
TERMINAL SIZES	2.5mm ²
SERIAL PORT SPEED	9600 BAUD
STANDARDS	EMC - EN 5001-1 :1992 Immunity - EN 50082-1 :1997 LVD - EN 60950-1 :1992
COMMUNICATION	Rakom coded fm radio, 433.9MHz
MEMORY	Flash memory (non volatile)

MECHANICAL DATA



CONNECTION DETAILS

