

WHAT IS IT ?

A compact 800w RF switch module.

The unit is connected in-line before the first light fitting, to enable switching of up to 800w of non dimmable loads.

Ideal for extractor fans, LEDs, non dimmable fluorescents, garden water features and other switched only loads.

Controlled from any Rako RAKOM RF device, for example the RCP07W push button RF wall plate.

The RDS800C in-line RF switch module for non dimmable loads



SWITCHED CONTROL

Designed to fit in a ceiling void or cupboard, the RDS800C switching module can control up to 800 watts of mains non dimmable lighting loads. The unit can also be used for exterior lighting control applications, with the use of a weatherproof IP rated enclosure.

The robust microprocessor design combines reliable switching with dynamic safety features such as auto-resetting over current and voltage surge protection.

Programmed using either an RCP07 RF wallplate or the RASOFT PC software suite, the unit stores the house, room and channel address plus four preset scene levels in non volatile memory.

The RDS800C switch module can be controlled from any Rako transmitter such as RCP wallplates, RAH hand helds, MB1 timeclocks and forms the foundation of any Rako scene-set system.

DATA SHEET

RDS800C

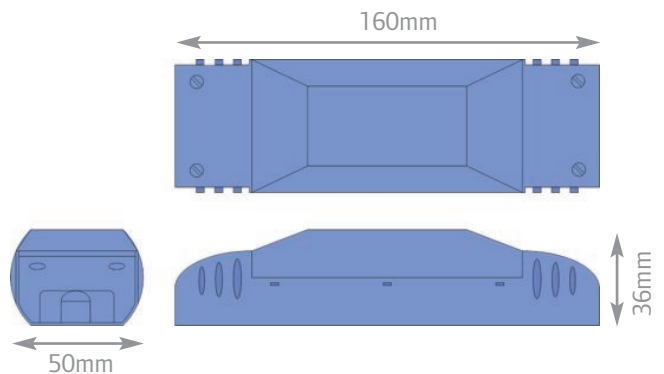
800W SWITCHING UNIT



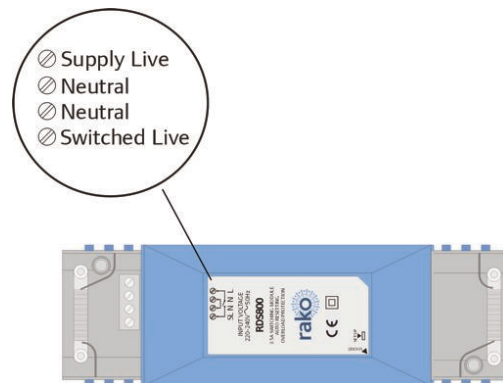
TECHNICAL DATA

DIMENSIONS	160x50x36mm
INPUT SUPPLY	230V AC +/-10% 50Hz
WEIGHT	230g
HOUSING	UL V0 material
CLIMATE RANGE	Temperature +2C to +40C Humidity +5% to 95% non condensing
CONNECTIONS	4 way screw terminals for mains power
PROTECTION	Auto resetting over current protection Auto thermal shutdown Voltage surge protection
LOAD TYPES	All non dimmable lighting loads Extractor fans Water pumps (garden water features)
MINIMUM LOAD	-
MAXIMUM LOAD	800w
TERMINAL SIZES	1.5mm ² - Stranded 2.5mm ² - Solid
STANDARDS	EMC - EN 5001-1 :1992 Immunity - EN 50082-1 :1997
COMMUNICATION	Rakom coded fm radio, 433.9MHz
MEMORY	Flash memory (non volatile)

MECHANICAL DATA



CONNECTION DETAILS



telephone +44 (0) 870 043 3905 fax +44 (0) 870 043 3906 www.rakocontrols.com

WE RESERVE THE RIGHT TO CHANGE THE SPECIFICATION AND DATA HEREWITH WITHOUT NOTICE.

© 2006 RAKO CONTROLS LIMITED

LightControls.ie