

WHAT IS IT ?

Designed to operate with the Rako RASOFT PC programming software.

The unit provides a wireless link from a PC running RASOFT to RAKOM enabled receiver devices such as the RDL range of dimmers.

The RAUSB is a USB to RF interface for the RASOFT PC software suite



FLEXIBLE CONTROL

The RAUSB module allows a PC running the RASOFT programming software to communicate with RAKOM receiver devices.

A free USB1.1 or USB2.0 port is required on a PC running WindowsXP, 2000 or 98SE.



DATA SHEET

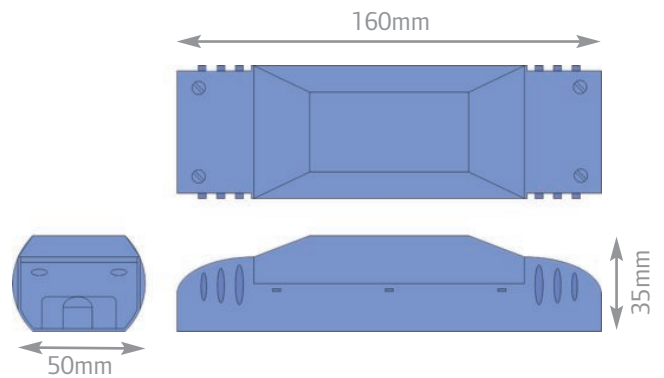
RAUSB

USB RF GATEWAY FOR RASOFT

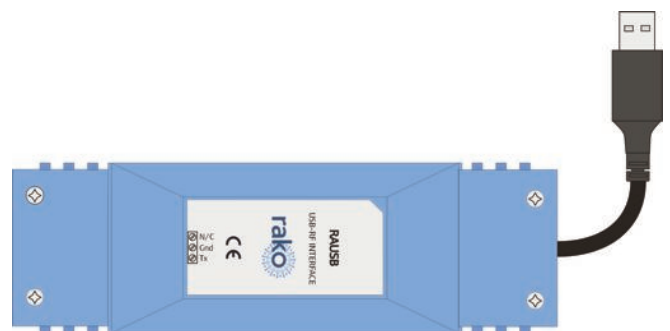
TECHNICAL DATA

| | |
|----------------------------|--|
| DIMENSIONS | 160x50x36mm |
| INPUT SUPPLY | 5V DC (powered via USB port) |
| WEIGHT | 125g |
| HOUSING | UL V0 material |
| CLIMATE RANGE | Temperature +2C to +40C Humidity +5% to 95% non condensing |
| CONNECTIONS | USB Type A male |
| SYSTEM REQUIREMENTS | IBM Compatible PC running WindowsXP, Windows2000 or Windows98SE |
| STANDARDS | EMC - EN 5001-1 :1992 Immunity - EN 50082-1 :1997 LVD - EN 60950-1 :1992 |
| COMMUNICATION | Rakom coded fm radio, 433.9MHz |
| MEMORY | Flash memory (non volatile) |

MECHANICAL DATA



CONNECTION DETAILS



telephone +44 (0) 870 043 3905 fax +44 (0) 870 043 3906 www.rakocontrols.com

WE RESERVE THE RIGHT TO CHANGE THE SPECIFICATION AND DATA HEREWITH WITHOUT NOTICE.

© 2006 RAKO CONTROLS LIMITED

LightControls.ie