

DATA SHEET

RDL250L

250W LEADING EDGE DIMMER

WHAT IS IT ?

A compact 250w RF dimmer designed to control table and free standing lamps, without the need for separate 5 amp lighting circuits.

The dimmer is connected in-line between the mains plug and the light fitting, to enable dimming of up to 250w of leading edge dimmable loads.

Controlled from any Rako RAKOM RF device, for example the RCP07W push button RF wall plate.

The RDL250L in-line RF dimmer for free standing lamps and other movable light fittings



FLEXIBLE CONTROL

Designed to fit in-line with the mains flex of a free standing lamp, the RDL250L inductive dimmer can control up to 250 watts of mains dimmable lighting loads. Unlike the RDL250C, the L version has a discrete internal aerial and black translucent casing.

The robust microprocessor design combines smooth reliable dimming with dynamic safety features such as auto-resetting over current, temperature shutdown and voltage surge protection.

Programmed using either an RCP07 RF wallplate or the RASOFT PC software suite, the unit stores the house, room and channel address plus four preset scene levels in non volatile memory.

The RDL250L dimmer can be controlled from any Rako transmitter such as RCP wallplates, RAH hand helds, MB1 timeclocks and is the ideal accessory to any Rako scene-set system.

DATA SHEET

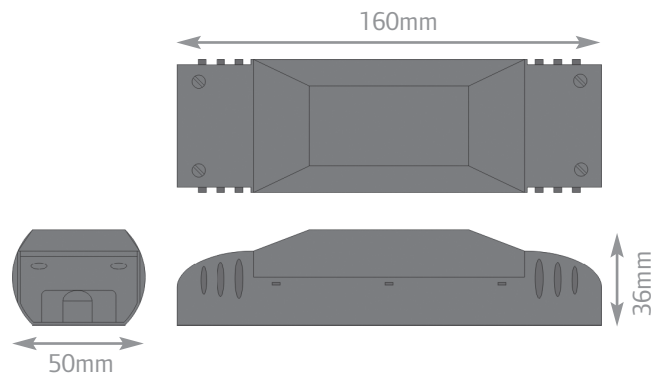
RDL250L

250W LEADING EDGE DIMMER

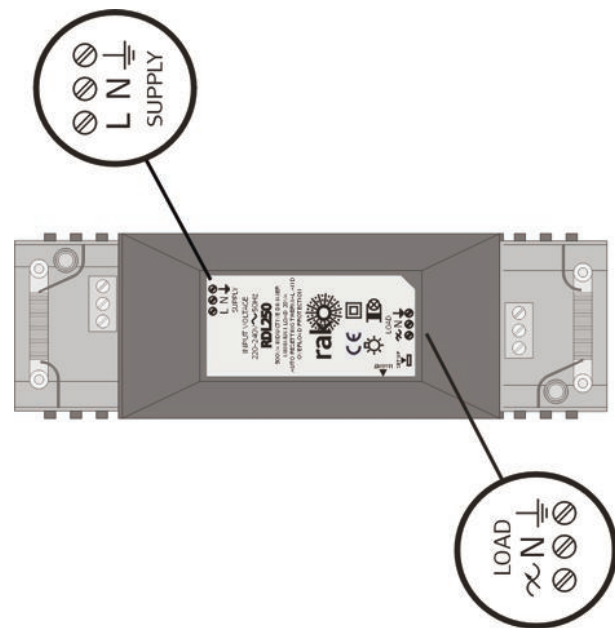
TECHNICAL DATA

DIMENSIONS	160x50x36mm
INPUT SUPPLY	230V AC +/-10% 50Hz
WEIGHT	125g
HOUSING	UL V0 material
CLIMATE RANGE	Temperature +2C to +40C Humidity +5% to 95% non condensing
CONNECTIONS	3 way screw terminals for mains power
PROTECTION	Auto resetting over current protection Auto thermal shutdown Voltage surge protection
LOAD TYPES	Incandescent mains voltage lamps Tungsten halogen GU10 lamps Leading edge dimmable LV transformers Leading edge dimmable cold cathode
MINIMUM LOAD	20w
MAXIMUM LOAD	250w
TERMINAL SIZES	1.5mm ² - Stranded 2.5mm ² - Solid
STANDARDS	EMC - EN 5001-1 :1992 Immunity - EN 50082-1 :1997
COMMUNICATION	Rakom coded fm radio, 433.9MHz
MEMORY	Flash memory (non volatile)

MECHANICAL DATA



CONNECTION DETAILS



telephone +44 (0) 870 043 3905 fax +44 (0) 870 043 3906 www.rakocontrols.com

WE RESERVE THE RIGHT TO CHANGE THE SPECIFICATION AND DATA HERewith WITHOUT NOTICE.

© 2006 RAKO CONTROLS LIMITED